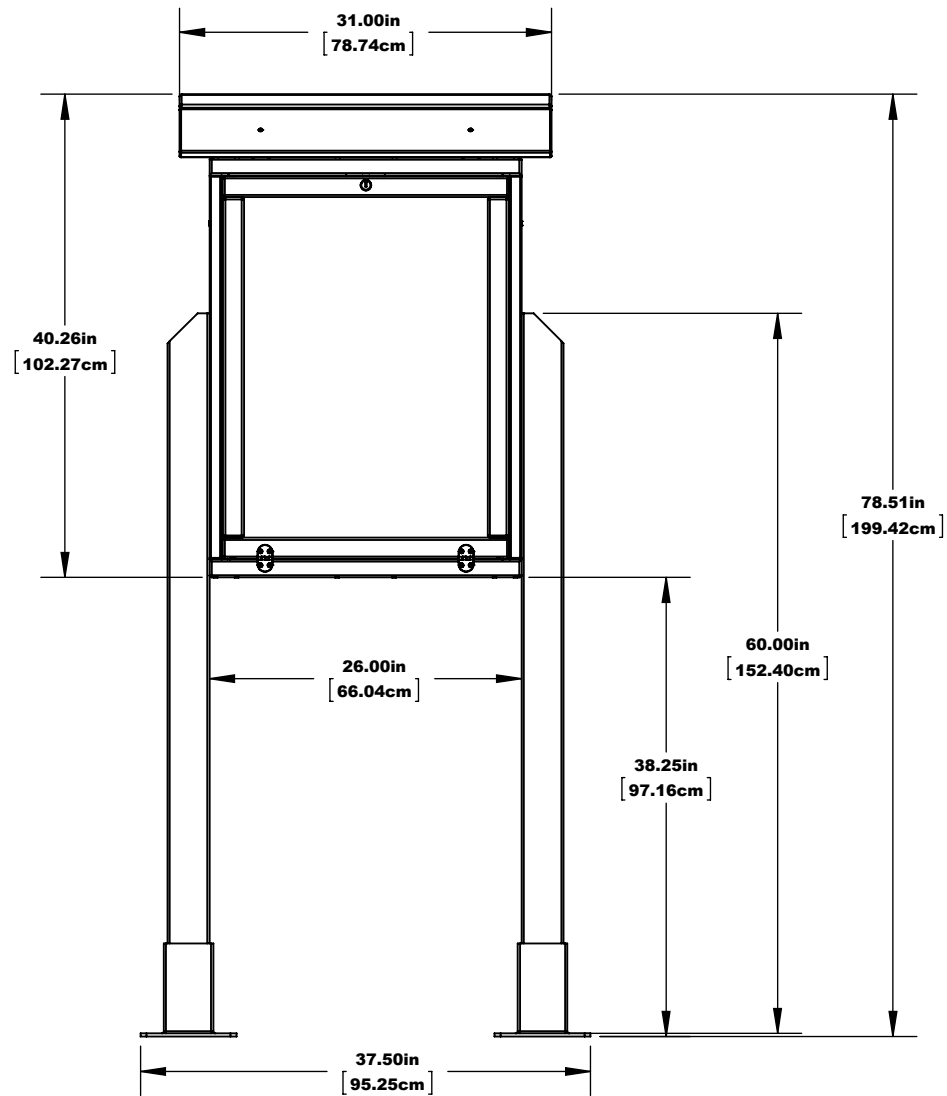
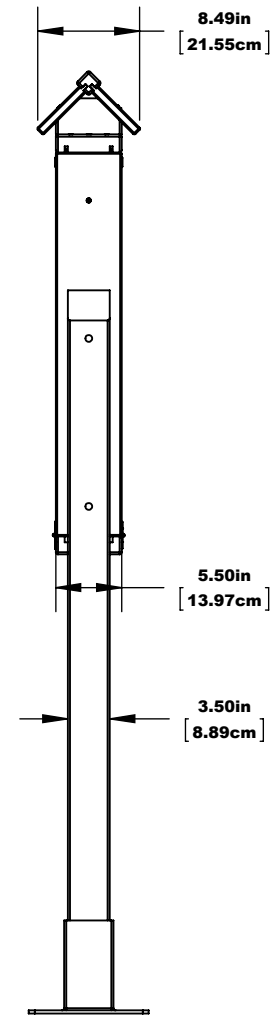


MEDIUM DOUBLE SIDED MESSAGE CENTER SURFACE MOUNT

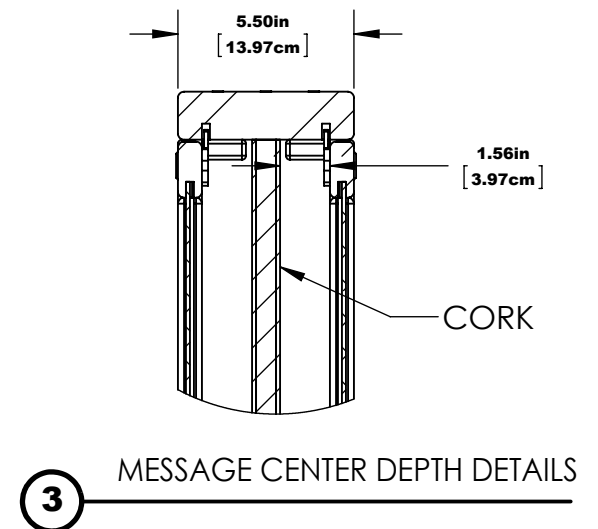
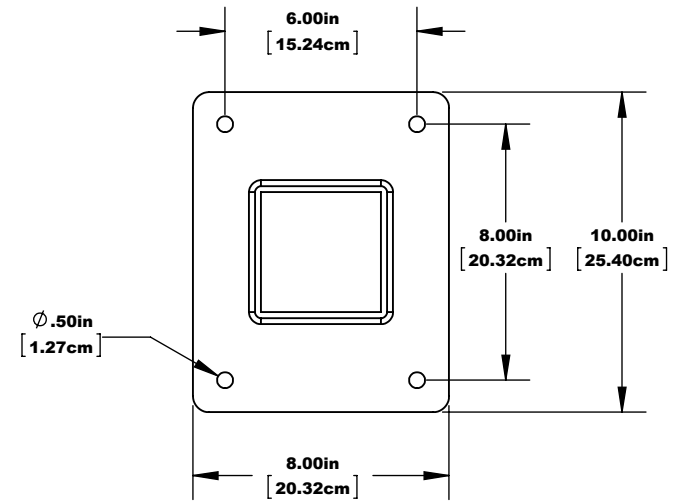
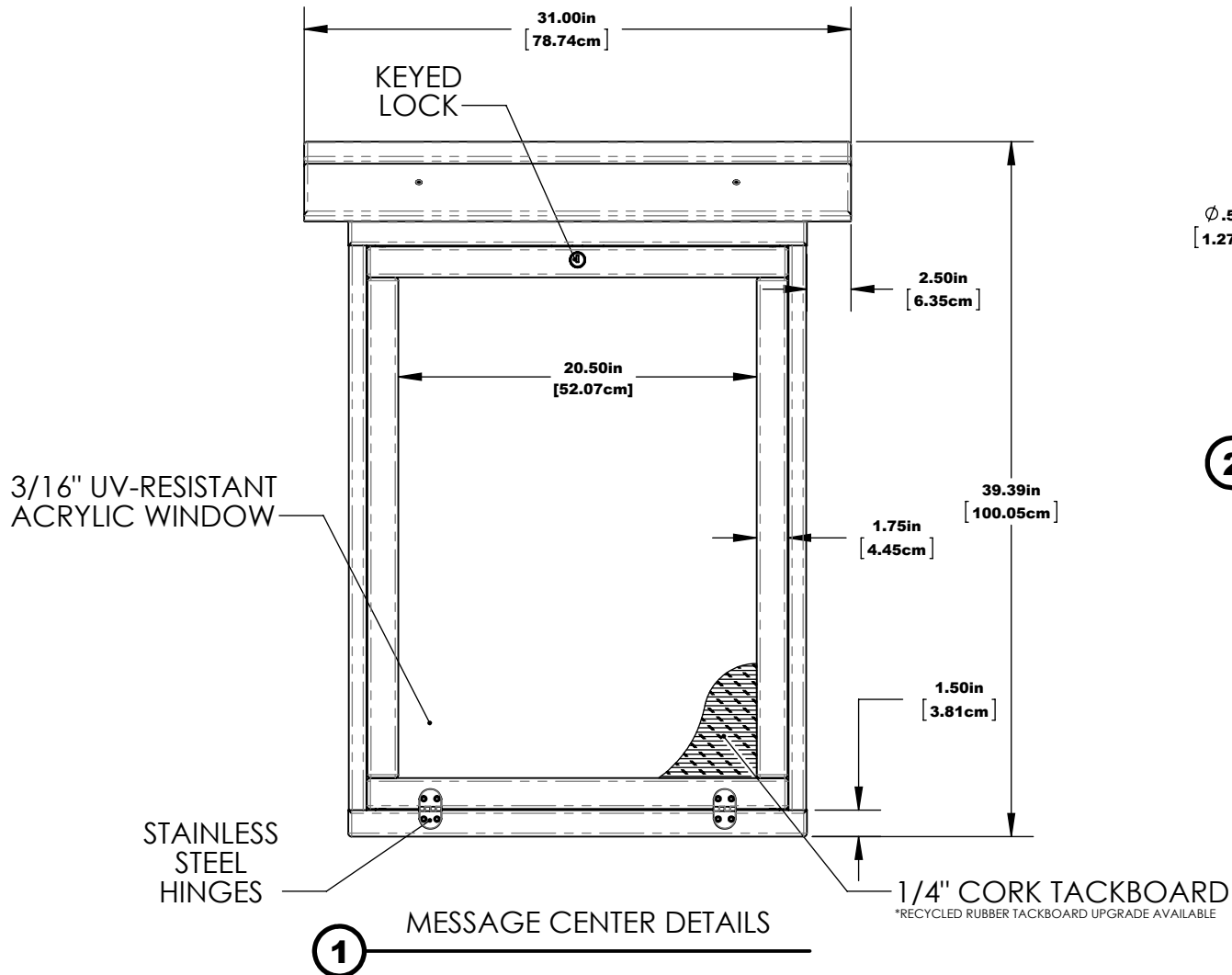


FRONT



SIDE

D



HARDWARE: STAINLESS STEEL
MATERIAL: RECYCLED PLASTIC, ACRYLIC, 1/4" CORK