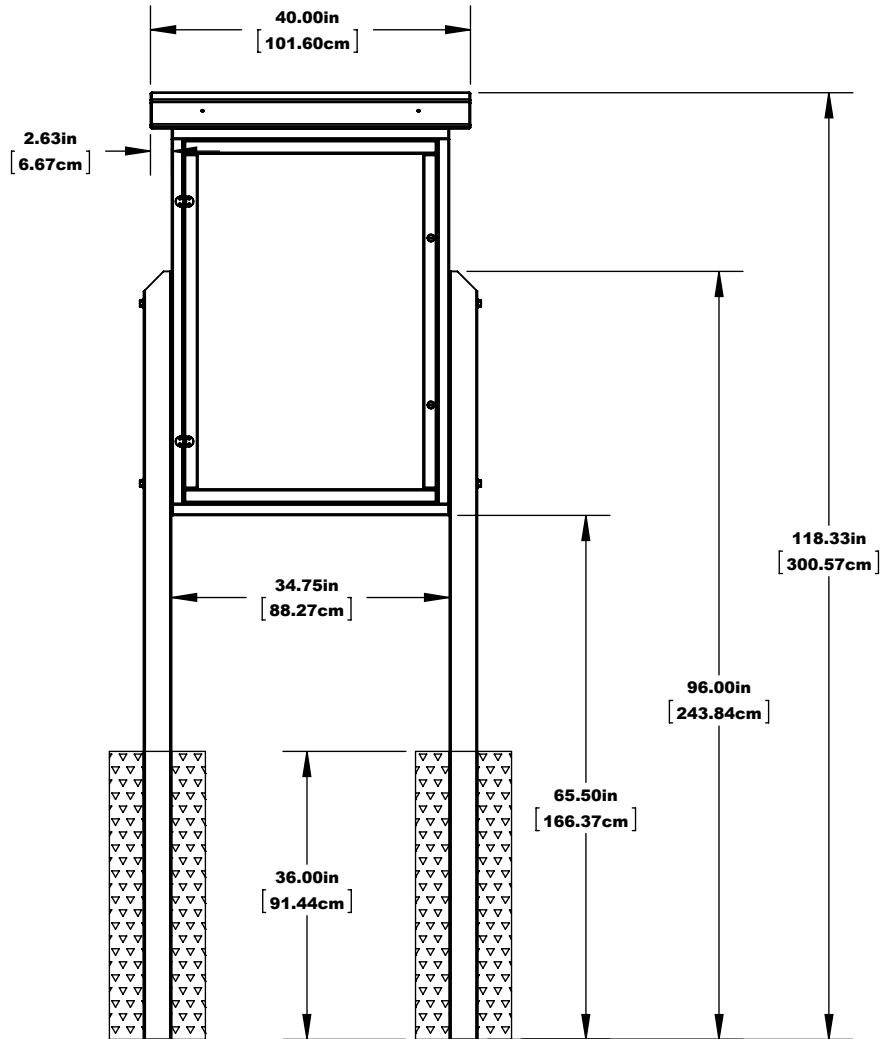
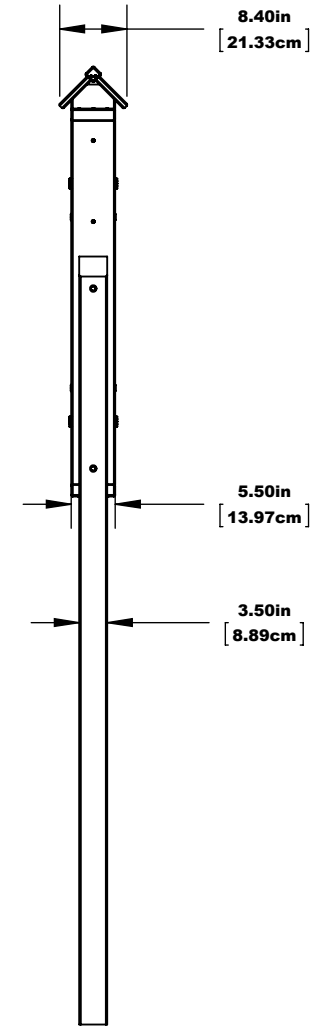


# LARGE DOUBLE SIDED MESSAGE CENTER INGROUND MOUNT



**FRONT**

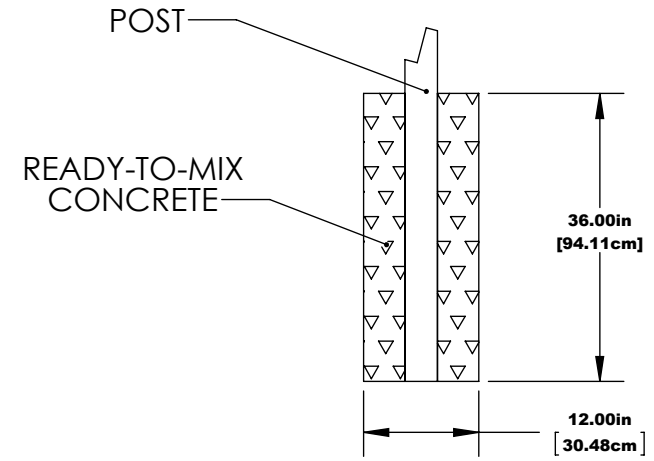
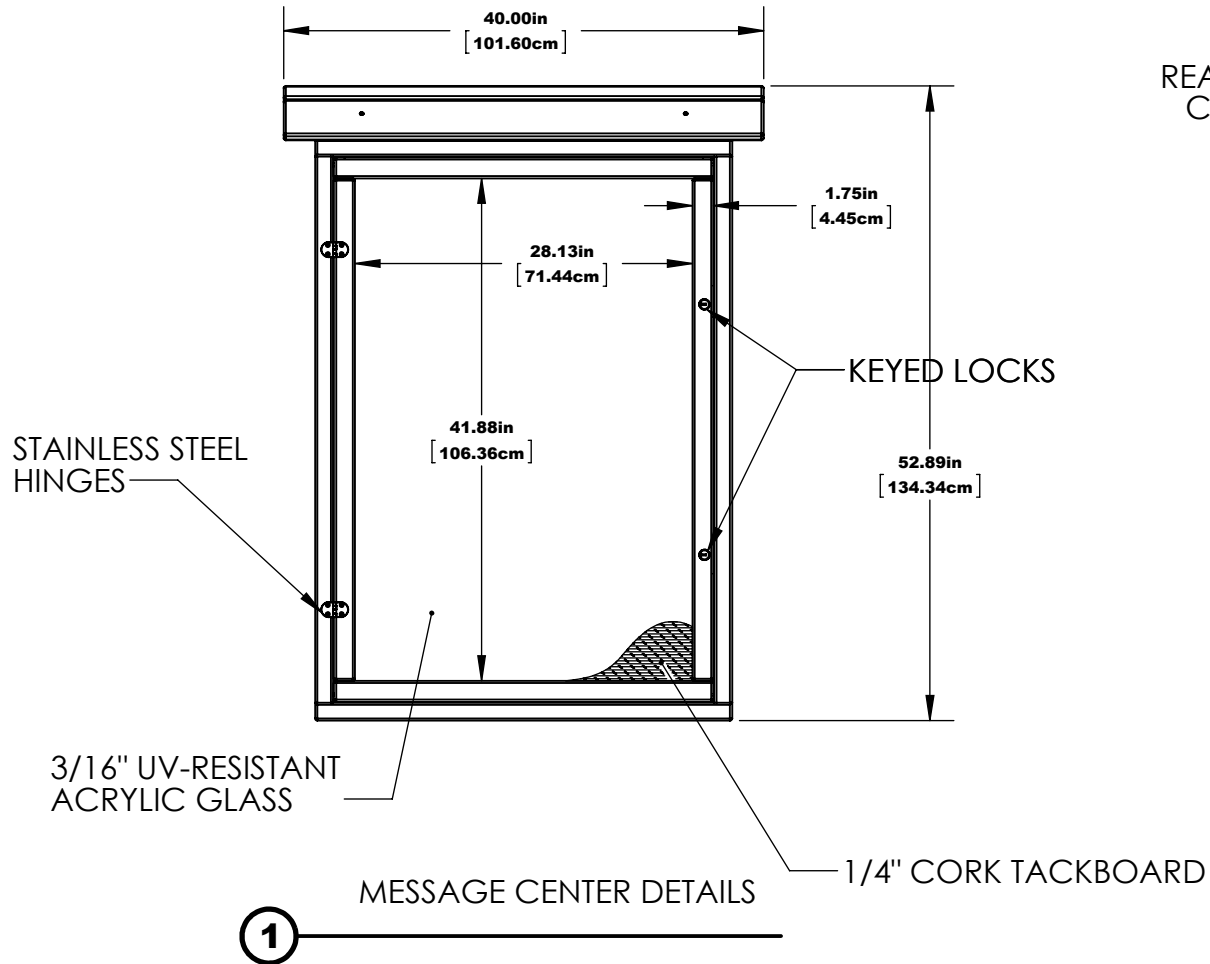


**SIDE**

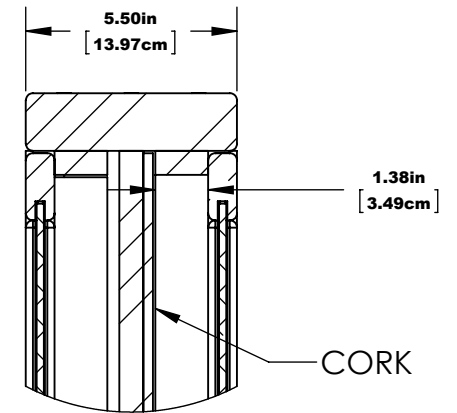
**NOTE:**  
CHECK LOCAL CODES FOR  
FROST DEPTH IN YOUR AREA

# LARGE DOUBLE SIDED MESSAGE CENTER INGROUND MOUNT

**NOTE:**  
CHECK LOCAL CODES FOR  
FROST DEPTH IN YOUR AREA



**2** MOUNTING DETAILS



**3** MESSAGE CENTER DEPTH DETAILS

HARDWARE: STAINLESS STEEL  
MATERIAL: RECYCLED PLASTIC, ACRYLIC, 1/4" CORK