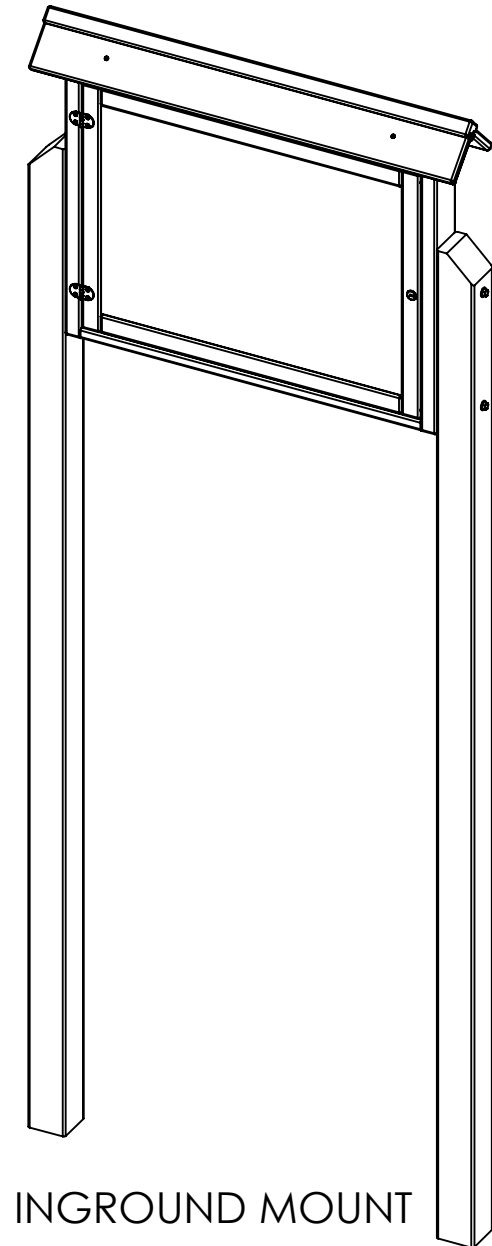
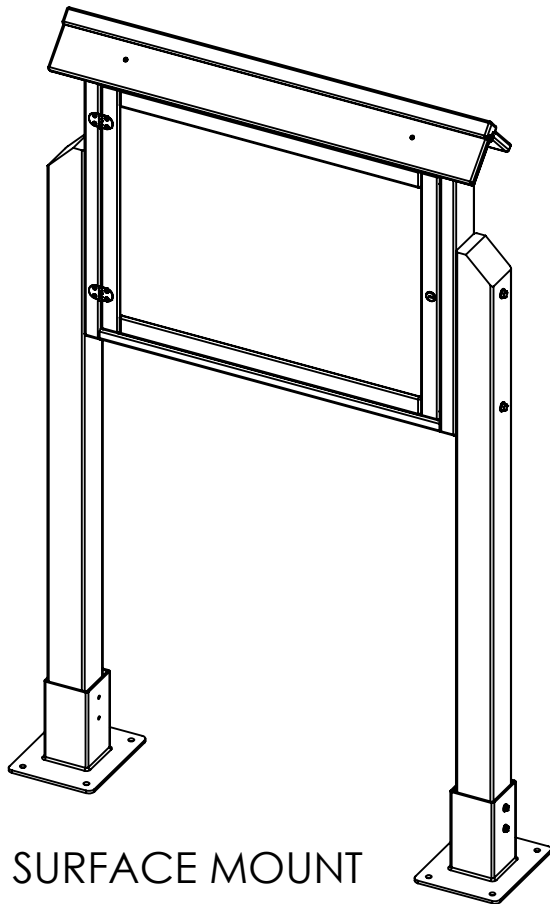
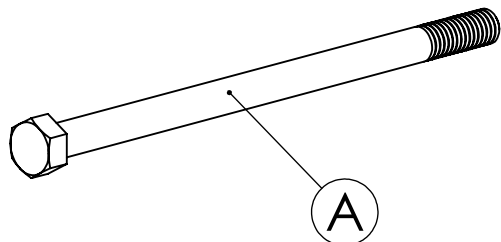


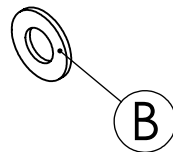
INGROUND & SURFACE MOUNT MESSAGE CENTER ASSEMBLY INSTRUCTIONS



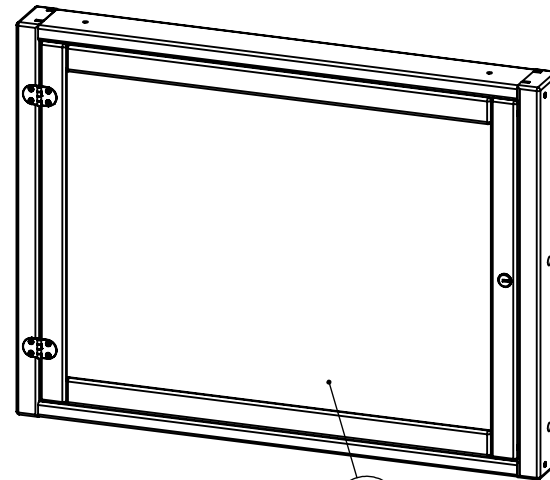
INGROUND & SURFACE MOUNT MESSAGE CENTER ASSEMBLY INSTRUCTIONS



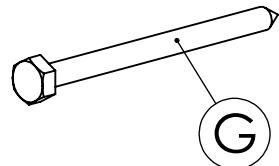
4X
3/8" X 5" HEX HEAD BOLT



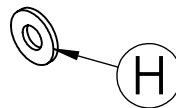
4X
3/8" FLAT WASHER



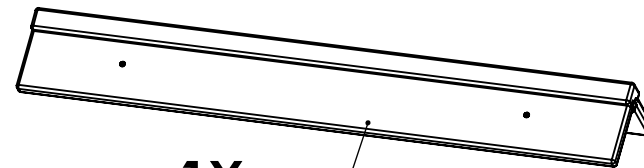
1X
MESSAGE CENTER



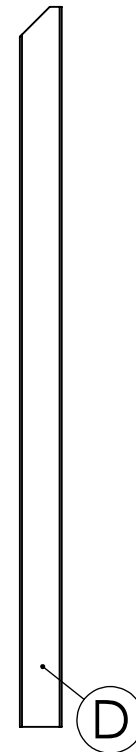
2X
1/4" X 3-1/2" LAG SCREW
(3X for Large)



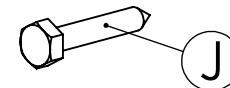
6X
1/4" FLAT WASHER
(4 ARE FOR SURFACE MOUNT ONLY)



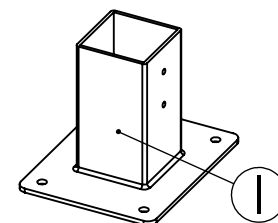
1X
ROOF



2X
POST



4X
1/4" X 1-1/2"
LAG SCREW
(FOR SURFACE MOUNT ONLY)



2X
SURFACE MOUNT
(FOR SURFACE MOUNT ONLY)

REQUIRED TOOLS (NOT INCLUDED)

- 1 - 7/16" SOCKET
- 1 - 9/16" SOCKET
- 1 - SCREW GUN
- 1 - LEVEL

OTHER REQUIRED MATERIALS FOR INGROUND MOUNTING (NOT INCLUDED)

- 2 - 80lb BAG OF SAKCRETE
- 1 - POST HOLE DIGGER
- GUIDE WIRES
- A FRIEND TO HELP

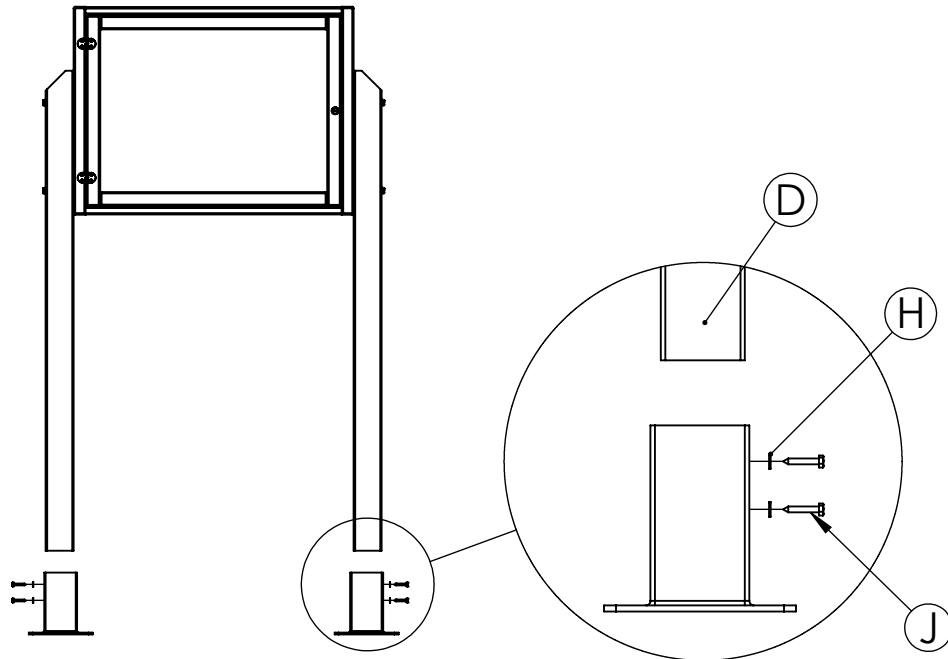
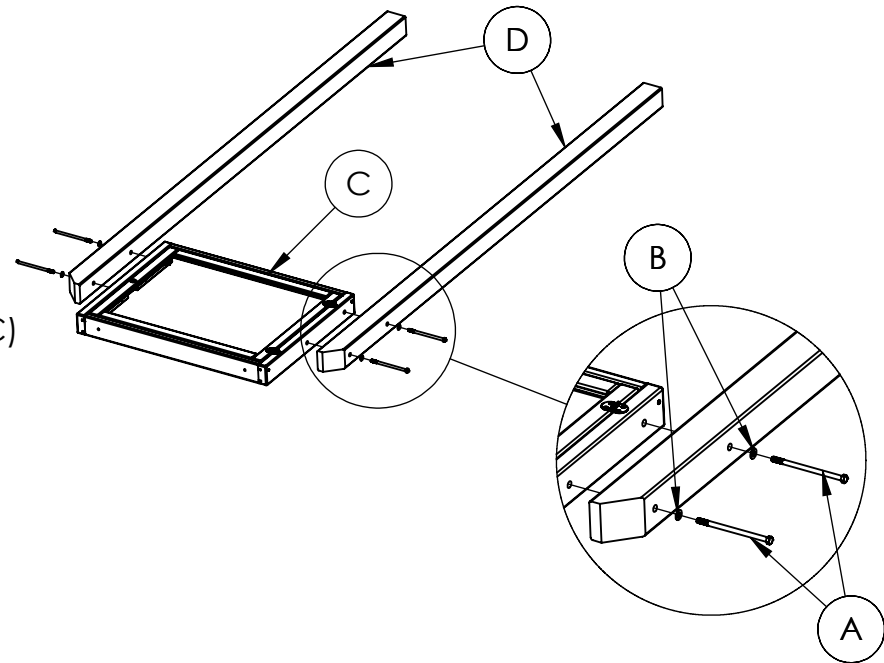
COMPONENTS & TOOLS REQUIRED FOR ASSEMBLY

1/5

INGROUND & SURFACE MOUNT MESSAGE CENTER ASSEMBLY INSTRUCTIONS

STEP #1

- A. Lay Message Center (C) on the Ground
- B. Put end posts (D) on the side of Message Center (C) with holes lining up
- C. Put 5" Bolt (A) and washer (B) thru post (D) and into message center (C)
- D. Repeat Step C for other 3 bolts
- E. Tighten all bolts



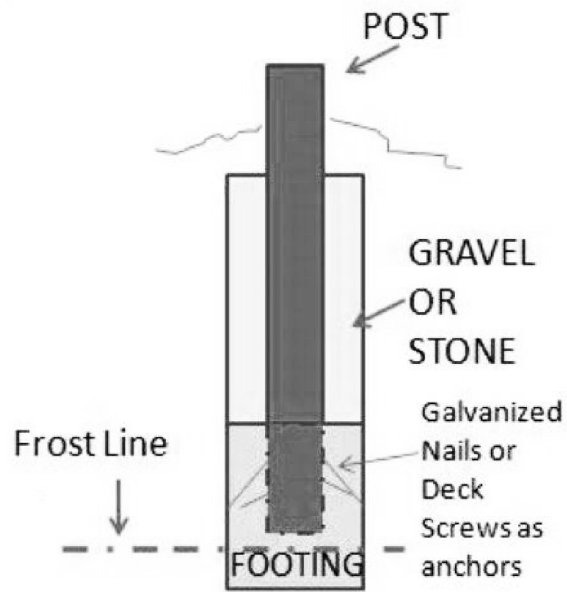
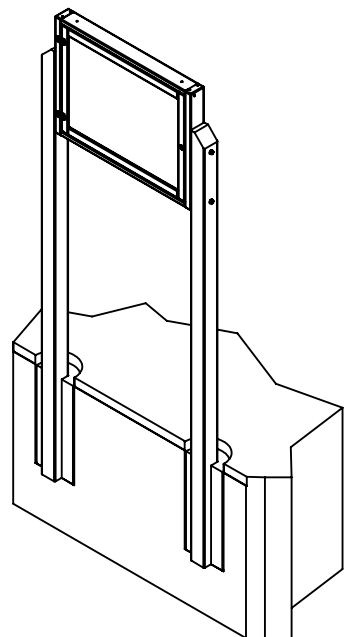
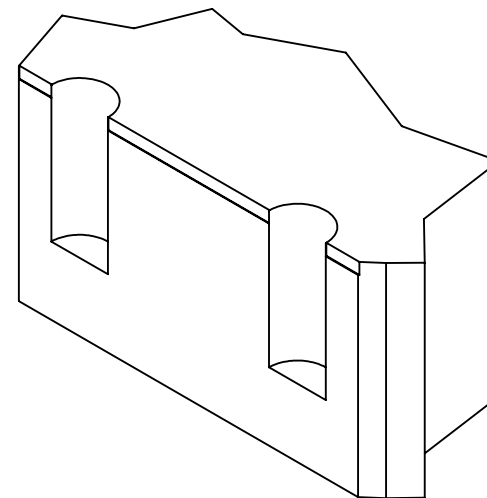
STEP #2 (SURFACE MOUNT)

- A. Keep the Message Center with the posts attached on the ground
- B. Put the Surface Mount Bases (I) onto the post bottoms (D)
- C. Fasten the 1-1/2" Lag Screw (J) thru the washer (H) thru surface mount base (I) and screw into post (D)
- D. Repeat Step C for other 3 Lag Screws (J)
- E. Lift properly into standing position
- F. Secure Surface mount bases to ground

INGROUND & SURFACE MOUNT MESSAGE CENTER ASSEMBLY INSTRUCTIONS

STEP #2-A (INGROUND MOUNT)

- A. Dig two holes, approximately 10" in diameter to a depth of 36" (or to building code / frost line)

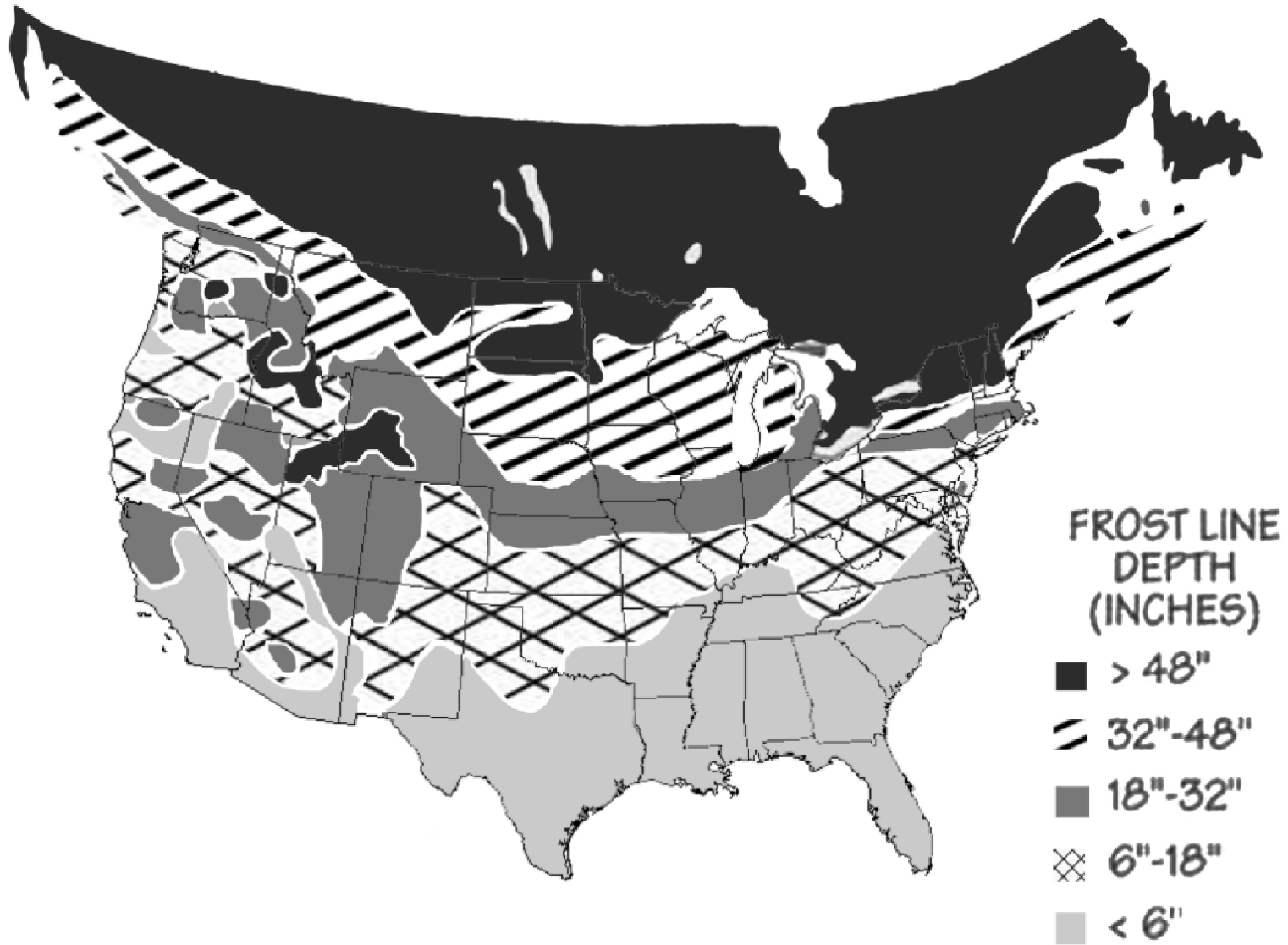


Post in Poured Concrete Footing

STEP #2-B (INGROUND MOUNT)

- A. Place post into holes.
B. Fill with Sakcrete to a level about 4" - 6" below ground level
C. Use guide wire to secure until Sakcrete is dry
D. Use a level to make sure Message Center is square and level

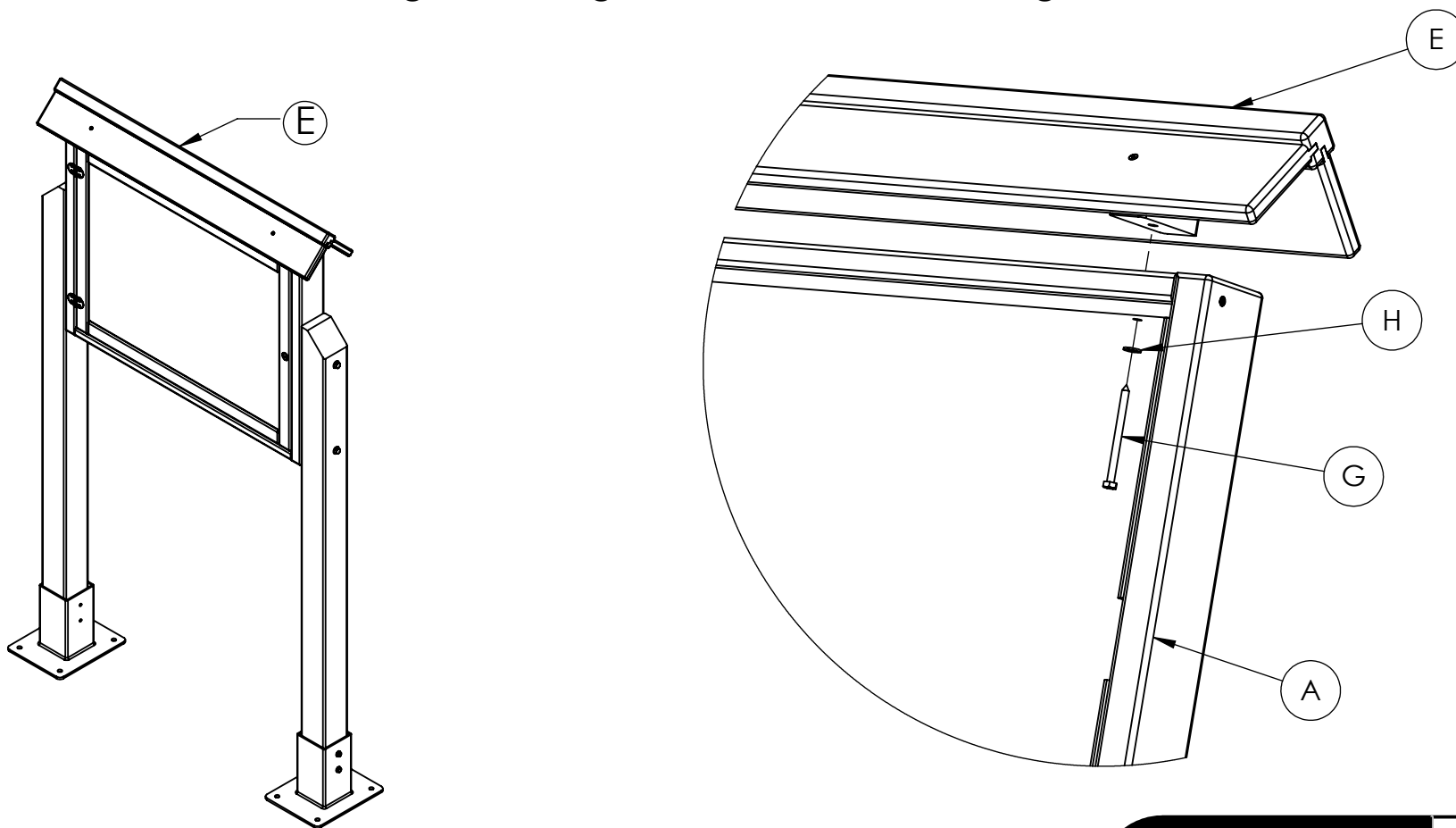
INGROUND & SURFACE MOUNT MESSAGE CENTER ASSEMBLY INSTRUCTIONS



INGROUND & SURFACE MOUNT MESSAGE CENTER ASSEMBLY INSTRUCTIONS

STEP #3

- A. Set Roof piece (E) onto top of Message Center (C)
- B. Fasten 3-1/2" Lag Screw (G) thru washer (H) thru Message Center (C) into roof piece (E)
- C. Repeat Step A for other Lag Screw (G)
Larger message centers will have 3 lag screws



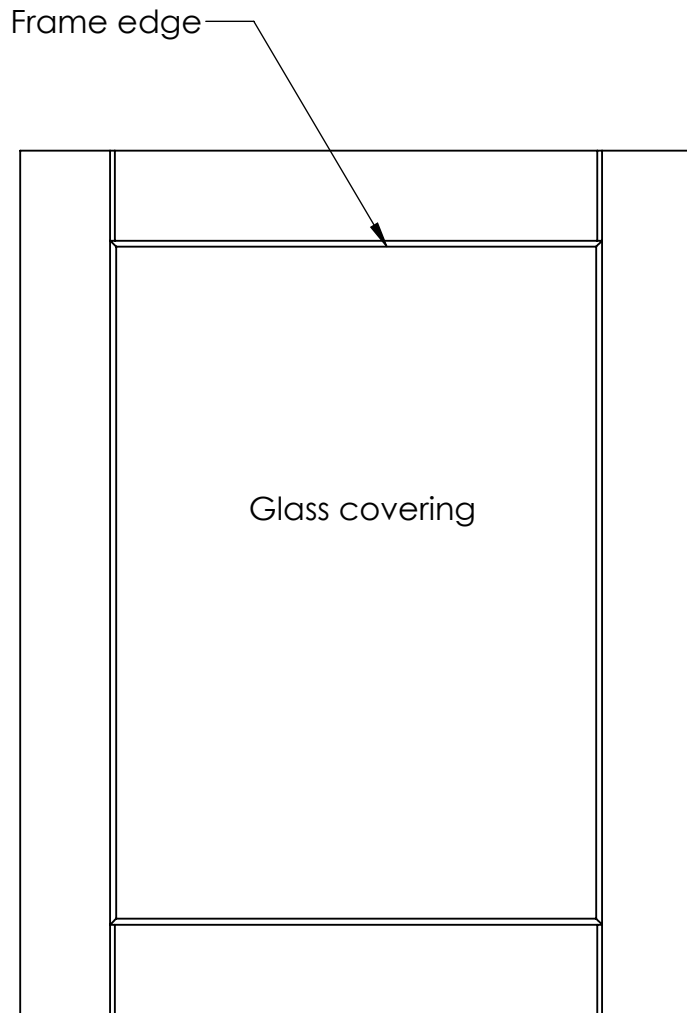
**ATTACH ROOF
TO MESSAGE
CENTER**

5/5

REMOVE GLASS COVERING

REMOVE GLASS COVERING

- Take a razor blade and score as close as possible to the frame, cutting the covering
- In a corner, peel back the the covering using the point of the knife blade
- Pull the covering off the glass
- Repeat for the other side



Score along thick line with a razor blade

