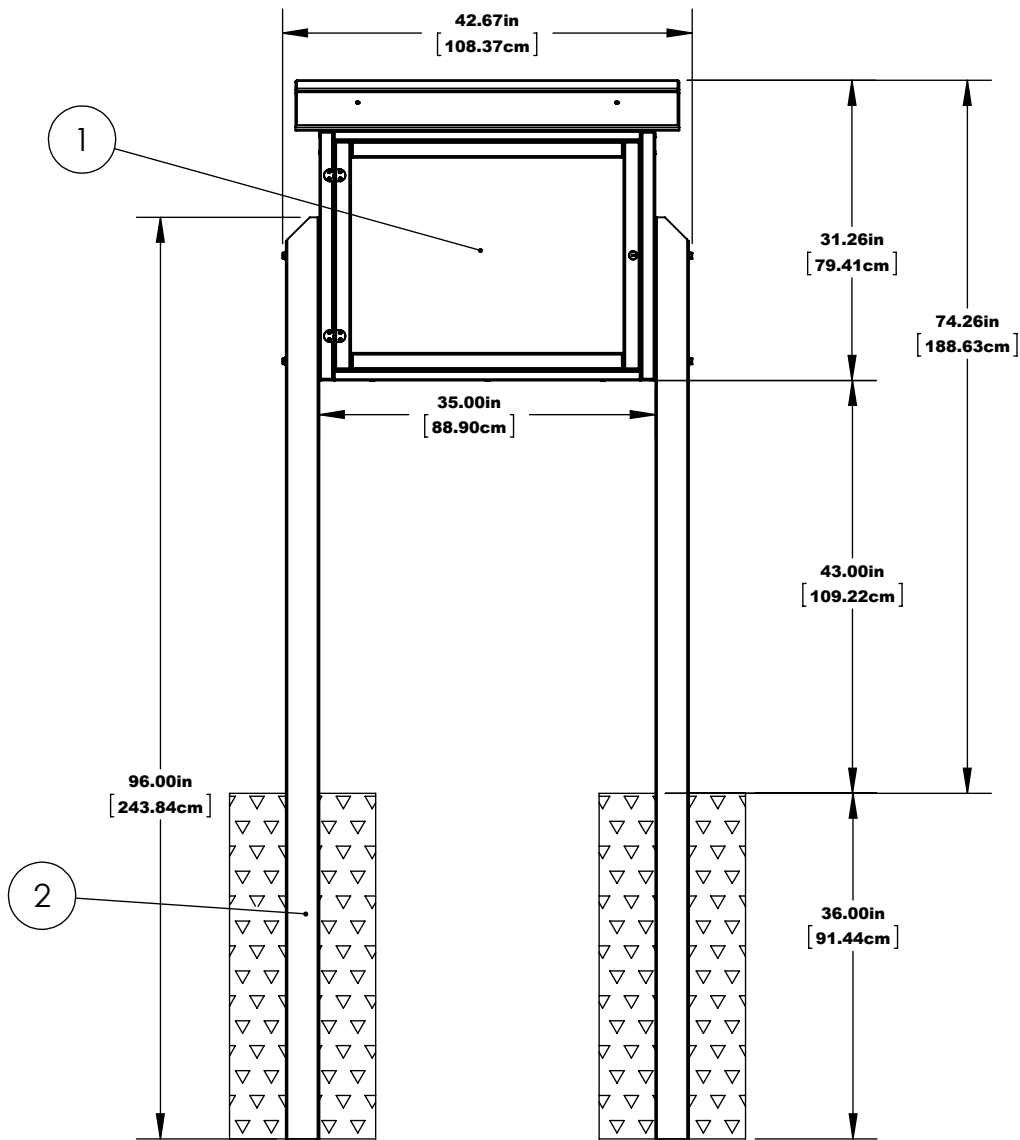


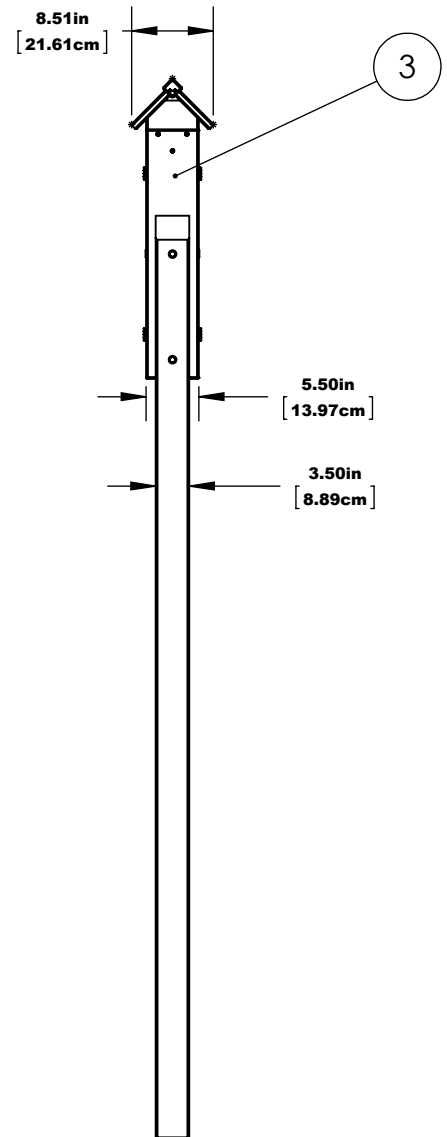
MEDIUM DOUBLE SIDED MESSAGE CENTER INGROUND MOUNT

REV #2 7-21-2016



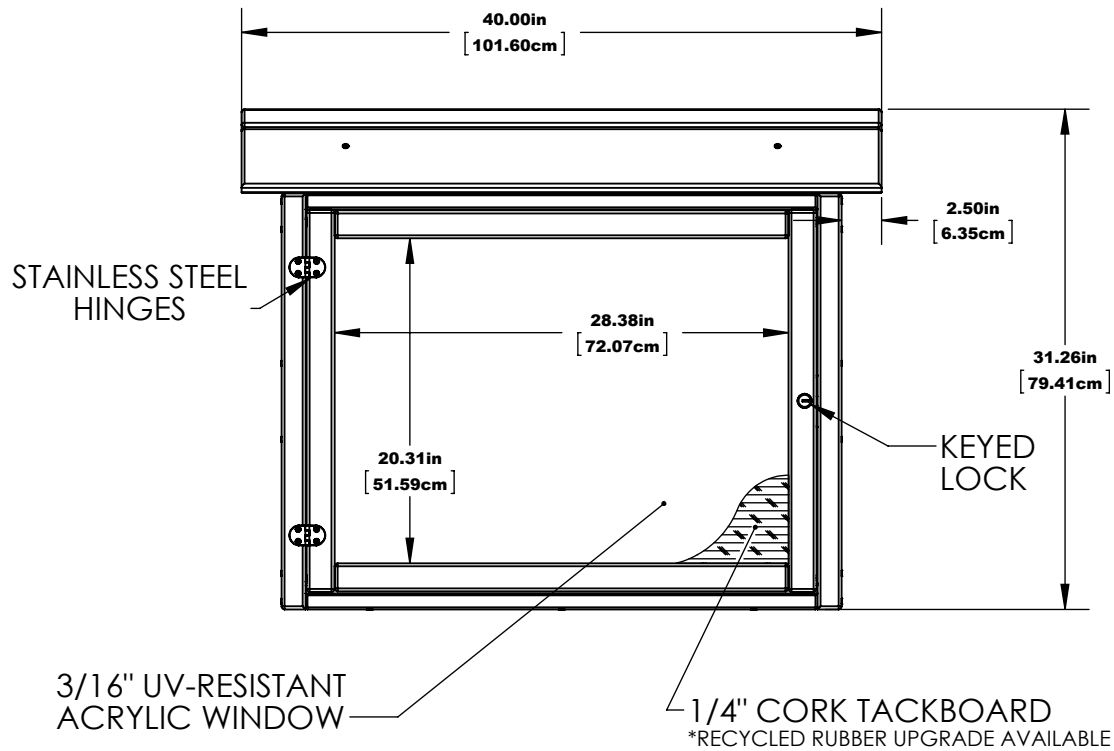
FRONT

NOTE:
CHECK LOCAL CODES FOR
FROST DEPTH IN YOUR AREA

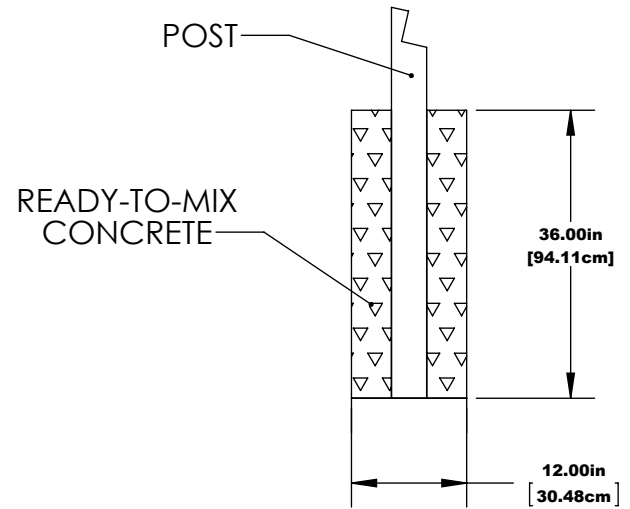


SIDE

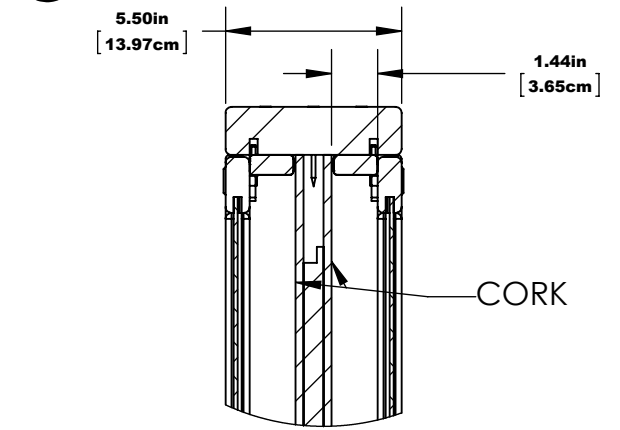
NOTE:
CHECK LOCAL CODES FOR
FROST DEPTH IN YOUR AREA



1 MESSAGE CENTER DETAILS



2 MOUNTING DETAILS



3 MESSAGE CENTER DEPTH DETAILS

HARDWARE: STAINLESS STEEL
MATERIAL: RECYCLED PLASTIC, ACRYLIC, 1/4" CORK