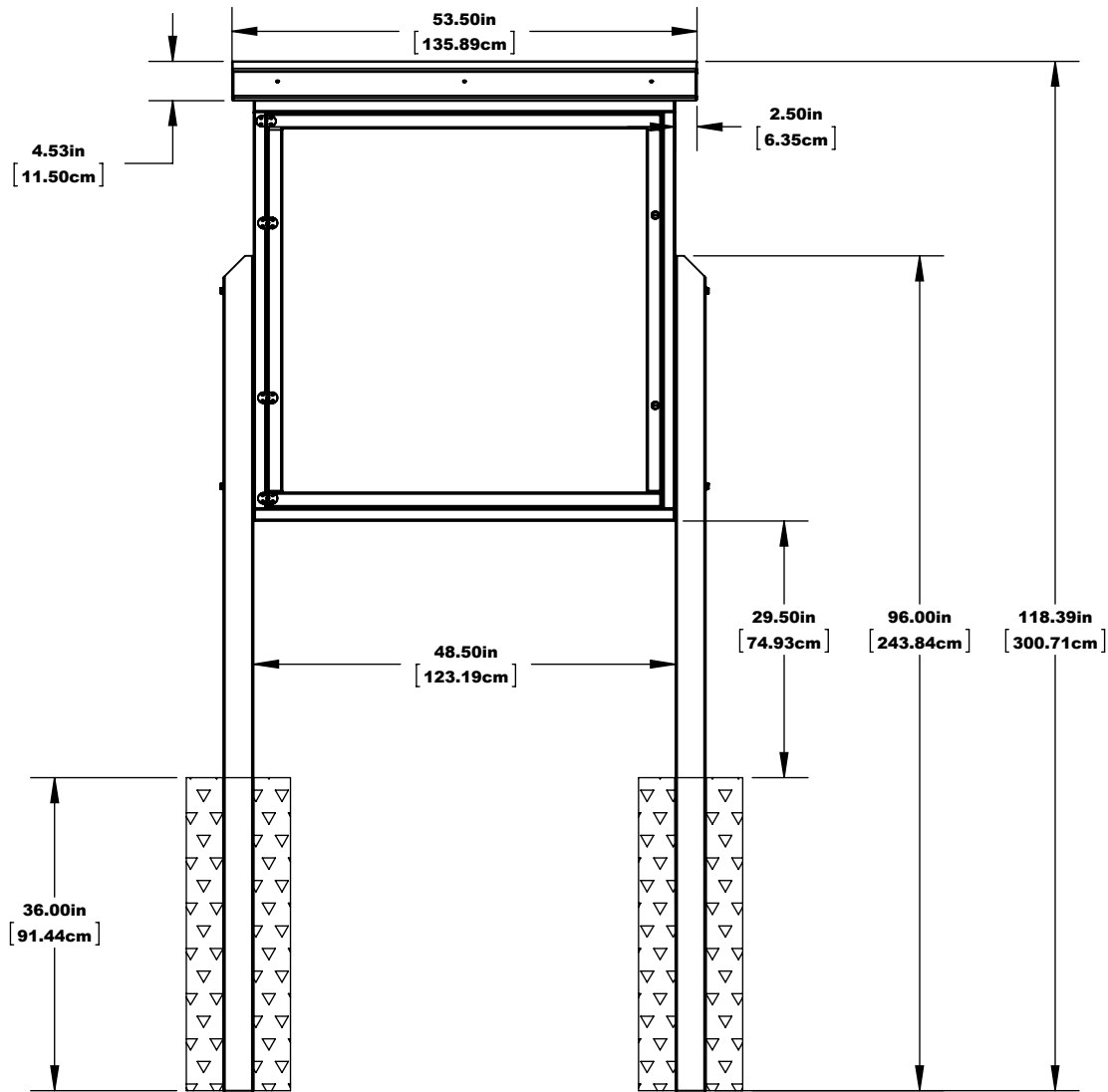
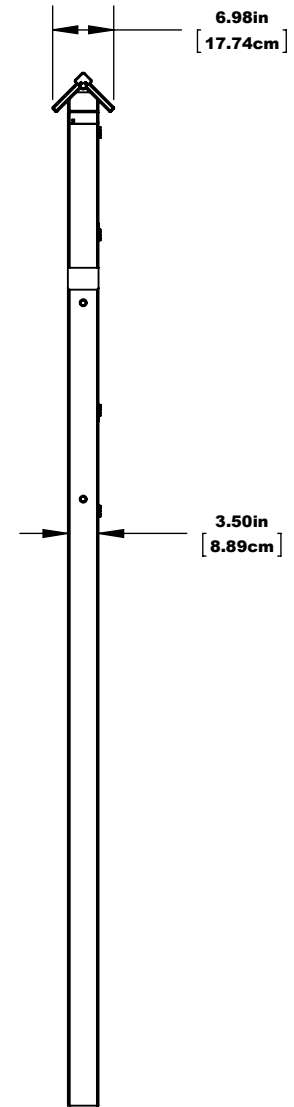


# EXTRA LARGE MESSAGE CENTER INGROUND MOUNT



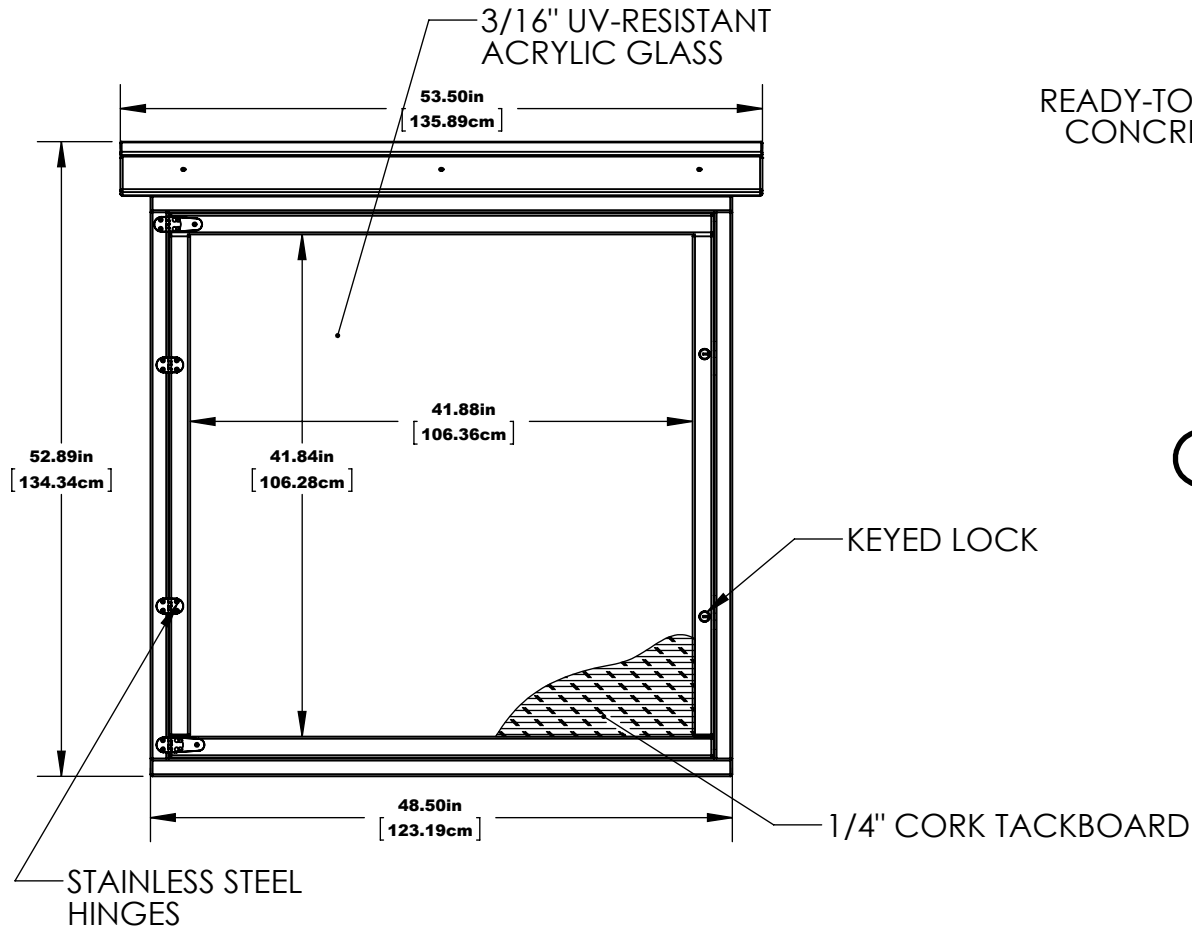
**FRONT**

**NOTE:**  
CHECK LOCAL CODES FOR  
FROST DEPTH IN YOUR AREA



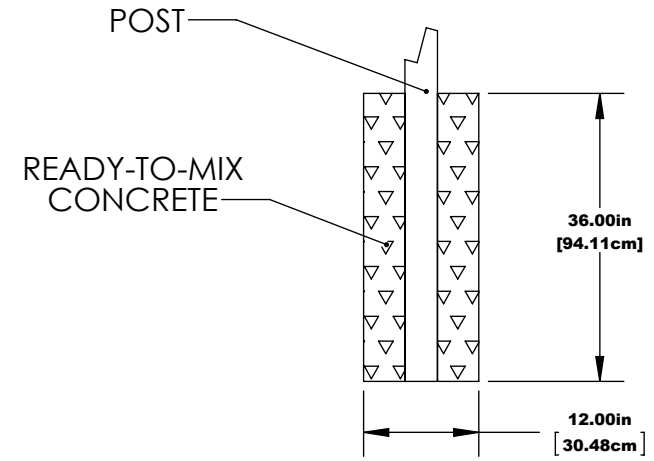
**SIDE**

# EXTRA LARGE MESSAGE CENTER INGROUND MOUNT

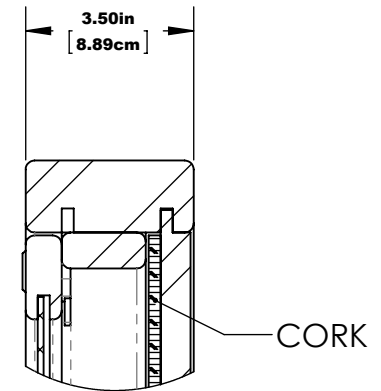


**1** MESSAGE CENTER DETAILS

**NOTE:**  
CHECK LOCAL CODES FOR  
FROST DEPTH IN YOUR AREA



**2** MOUNTING DETAILS



**3** MESSAGE CENTER DEPTH DETAILS

HARDWARE: STAINLESS STEEL  
MATERIAL: RECYCLED PLASTIC, ACRYLIC, 1/4" CORK